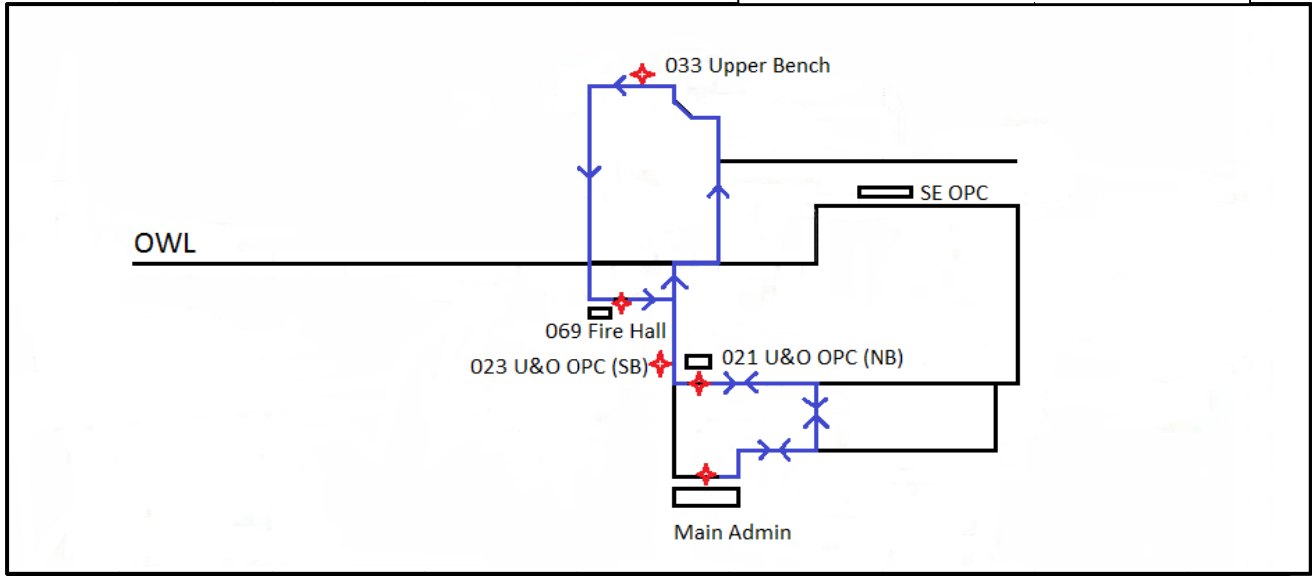




FORT HILLS OPERATIONS

ROUTE 3 (Temporary)

Effective: 03 June 2018



Main Admin AM Departure Times	Main Admin PM Departure Times
5:10	16:40
5:20	16:50
5:30	17:00
5:40	17:10
5:50	17:20
6:00	17:30
6:10	17:40
6:20	17:50
6:30	18:00
6:40	18:10
6:50	18:20
7:00	18:30
7:10	18:40
	18:50
	19:00
	19:10
	19:20

ROUTE DETAILS

Route No. 3

Stops:
Main Admin
021 U&O OPC NB
033 Upper Bench
069 Fire Hall
023 U&O OPC SB
Main Admin

Frequency:
Every 10 Minutes

Bus Sign: ROUTE 3
Bus Stop Sign: 0105

Ground Transportation Contact: 780-713-7444

On-Site Shuttle and Lost and Found: 780-713-7400