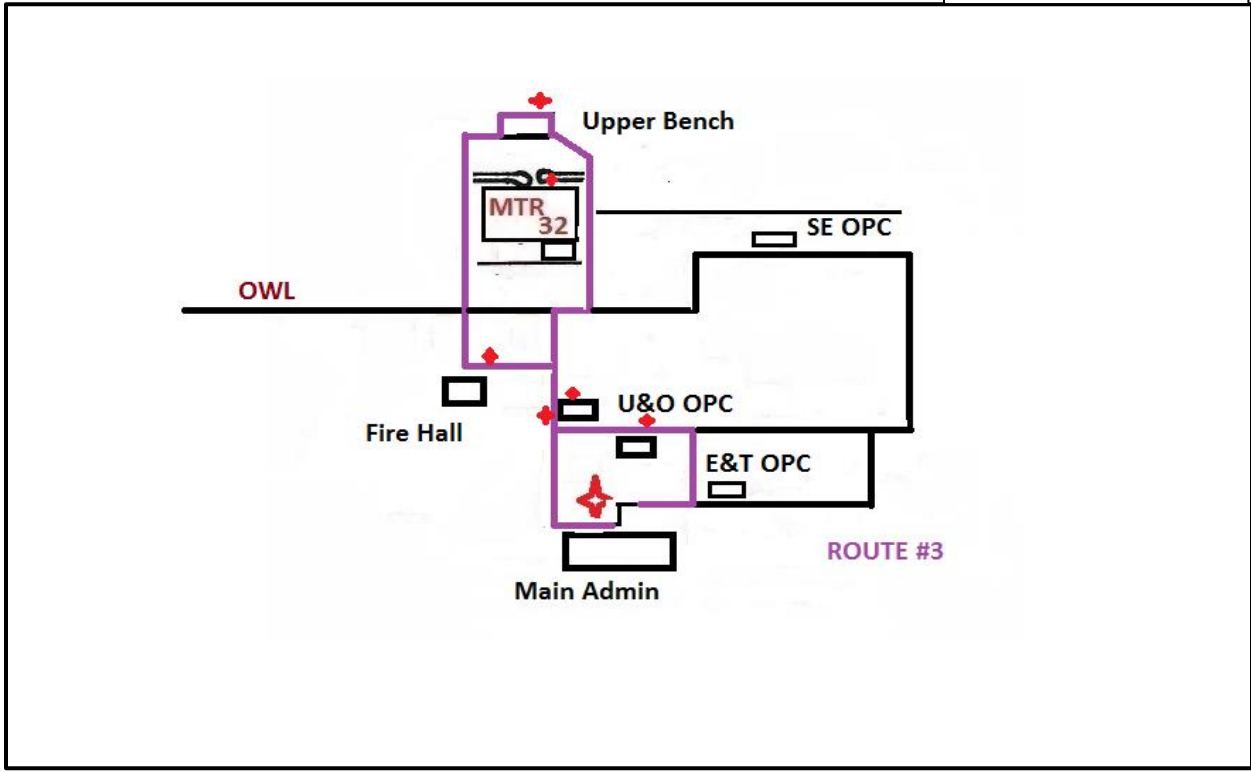




FORT HILLS OPERATIONS

ROUTE 3

Effective July 31



MAIN ADMIN AM DEPARTURE TIMES	MAIN ADMIN PM DEPARTURE TIMES
5:10	16:40
5:20	16:50
5:30	17:00
5:40	17:10
5:50	17:20
6:00	17:30
6:10	17:40
6:20	17:50
6:30	18:00
6:40	18:10
6:50	18:20
7:00	18:30
7:10	18:40
	18:50
	19:00
	19:10
	19:20

ROUTE DETAILS

ROUTE NO. 3

**STOPS: MAIN ADMIN
TOOL SHOP
U&O OPC
MOUNT ROBSON
UPPER BENCH
FIREHALL
U&O OPC
MAIN ADMIN**

FREQUENCY: EVERY 10 MINUTES

BUS SIGN: ROUTE 3

Ground Transportation Contact
Number: 780-713-7444

On-Site Shuttle/Lost & Found: